
Remote Condensing Unit

Dimensions:	19 in (W) 48 cm x 34 in (D) 86.5 cm x 25.5 in (H) 65 cm
Weight:	210 lbs (95kg)
Shipping Size:	31 in (W) x 36 in (L) x 23 in (H) 79 cm (W) x 91 cm (L) x 58 cm (H)
Shipping Volume:	15.5 cu ft (1/2 cu m)
Shipping Weight:	217 lbs (98 kg)
Voltage:	208V - 230V
Hertz:	60 hz - Optional 50 hz
Phase:	1 - Optional 3
Cooling:	Air Cooled - Optional Water
Air Clearance:	Intake: 8 in (20 cm) Exhaust: 60 in (152 cm)
Amperage Draw:	22 amps (12 at 3 ph)
Circuit Breaker:	30 amps minimum
Compressor:	3 hp
Refrigerant:	R404A



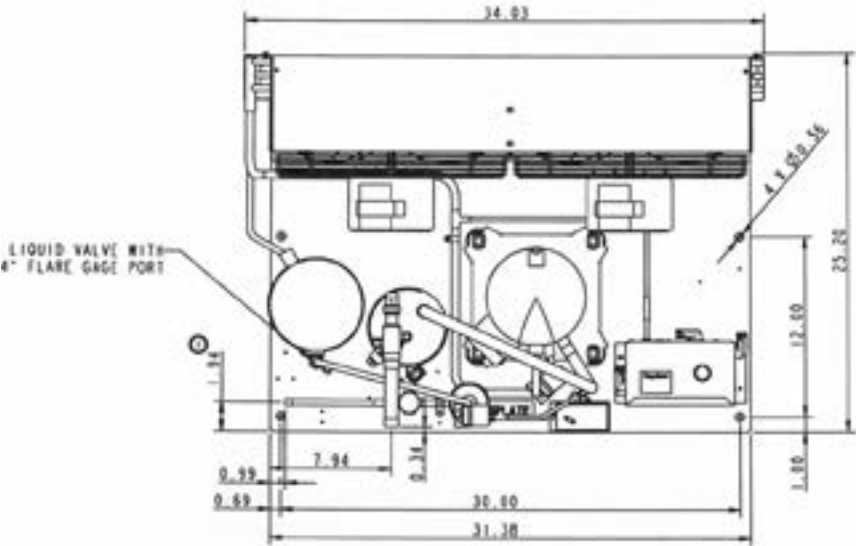
Due to continuous research specifications are subject to change without notice.

Specifications

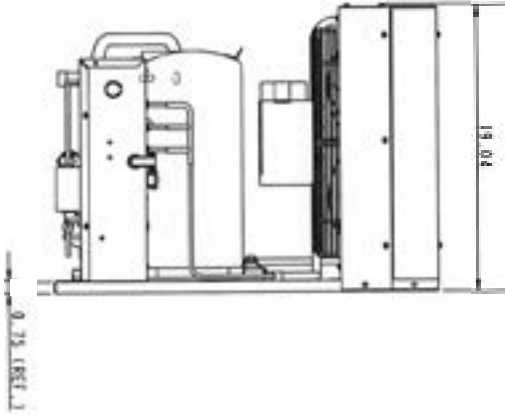
Remote Condensing Unit



Top View



Side View



Rear View

